

WSV®

SPECIAL ALLOY VALVES



GLOBE VALVES

WEIDOLI VALVES CO., LTD.

WEIDOLI VALVES CO., LTD.



Add: No. 20, Xingyu Road, Airport Industrial Zone,
Wenzhou City, P.R. China

Tel: 0086-577-86921659
Fax: 0086-577-86926789

Website: www.wsv-valve.com(EN)
www.weidouli.com(CN)
Email: sale@weidouli.com



WSV2018J-01



WSV 魏都利 WSV

WEIDOU LI

The name trust for Special Alloy Valves

Brief Introduction

The history of Weidouli dates back to 1989, the initial company named Lixin established in that year with prospective view to begin with exotic material valves manufacturing. With an increase of its production capacity and satisfaction of domestic and oversea clients' requirements, Weidouli furnished with a new modern factory filled with advance and large CNC machine facilities, fabrication, inspection and test facilities, total factory occupied area to be 43500m².

Advanced manufacturing processes enable us to produce a wide range of valves from bars and forgings, castings. Valves can be designed, manufactured, assembled and tested in accordance with ANSI/API/ASME norms, DIN/ ISO/BS specifications, Norsok requirements, JIS standards and tailor-made with sizes varying from 2" up to 100". Moreover, sizeable stock allows Weidouli to offer a broad selection of exotic materials, which diversify with Titanium, Nickel alloy, Zirconium, Super Duplex, Alloy 20 etc, whilst keeping production time to a minimum.

Weidouli has worked diligently in past decades to secure our advantageous industry position and become a highly respected and valuable enterprise to the area of anti-corrosive valves application and come to being an culture: Cooperate Sincerely, Create Win-win.

Weidouli will continue to play a good role and make its unceasing efforts in the valve markets with our goals in mind: Global Quality, Total Reliability.

CEO, Chengrui Xia



TS



EAC



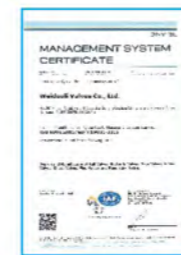
ATEX



API 607/6FA



ISO 15848-1



ISO 9001



ISO 14001



OHSAS 18001



CE 1155

Global Quality. Total Reliability.

Weidouli have ISO 9001/ISO 14001/OHSAS 18001/API 607/API 6FA/CE/EAC/ATEX/ISO 15848-1/ TS etc. qualifications to guarantee the realizable quality. Weidouli system includes the selection of raw material from approved vendors, and rigorous oversight of our manufacturing process that is vital to quality control. Our extensive quality control system carefully monitors our manufacturing processes to assure a product that performs to the highest industry standards. Quality assurance procedures include 100% hydrostatic and pneumatic testing of all valves in full conformance to applicable API standards and industry codes.

CONTENTS

Weidouli Specialty -----P04

Introduction-----P09

General Features-----P10

Design Features -----P11

Valve Main Parts-----P14

Flange Type Dimensions-----P16

BW Ends Dimensions-----P18

SW Ends&NPT Ends Dimensions-----P20

How To Order-----P21

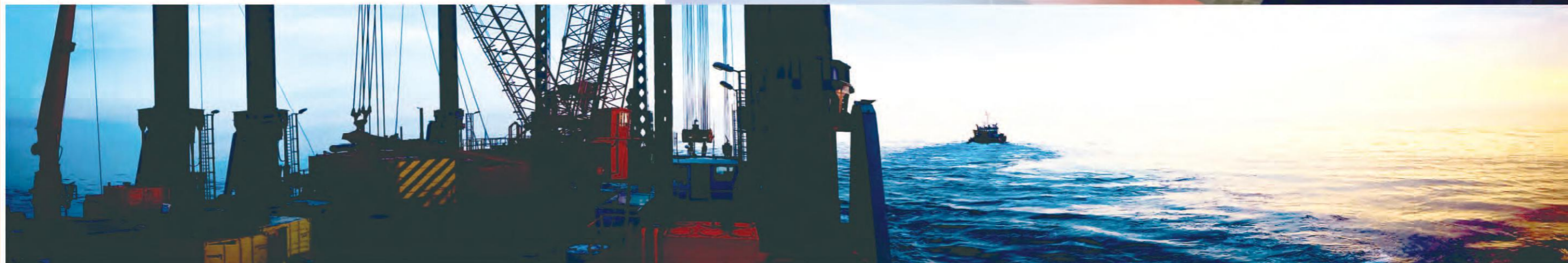
Valve Markings-----P22

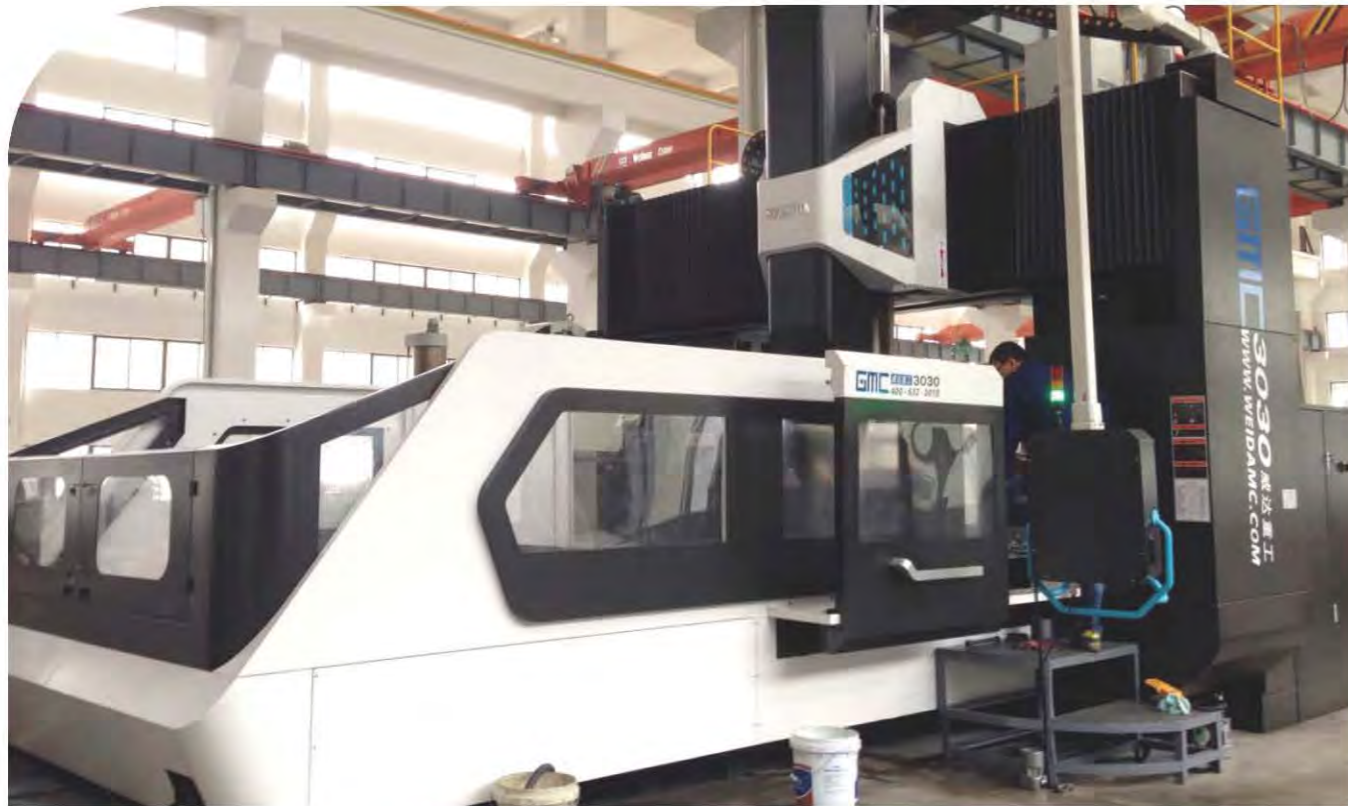
Material List-----P23

Product Field-----P24

Performance-----P25

WEIDOU LI SPECIALITY

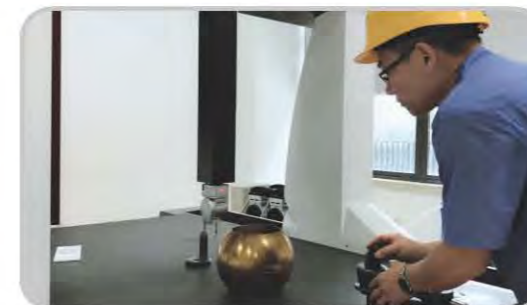




Extensive in-house testing and laboratory facilities are available including



- ❑ Tensile/Bend/Hardness Test/Impact Test
- ❑ Dye Penetrant
- ❑ Positive Material Identification
- ❑ Direct Alloy Analysis
- ❑ Ultrasonic thickness test
- ❑ Metallographic examination
- ❑ Chemical Analysis



Coordinate Measuring Machine(CMM):

CMM is a device that measures the geometry of physical objects by sensing discrete points on the surface of the object with a probe. Weidouli qualified products are well machined and controlled typically with micrometer precision.

Customer Relationship Management (CRM) & Production MES System

All daily business actions are controlled via CRM system to ensure transaction traceability and durability. The use of series number allows Weidouli the ability to not only ensure the quality of components used but to monitor and trace the fabrication process as well.

CNC Machine

Weidouli valves manufacturing plant comprises a well and equipped huge CNC machine shop with full design fabrication, inspection and test facilities.

Dynamic Inventory

By strategically prolonged cooperation with our sub suppliers, Weidouli is advantageous in price and flexible in delivery with a large scale of stocks for casting, semi-finished parts and finished valves to meet with your urgent need.

Extensive in-house testing and laboratory facilities are available including:

Cleaning room

Weidouli establishes a Class 100000 Cleanroom facility for cleaning, assembly, testing and packing of Weidouli valves to be used in high purity applications. By performing these procedures in a cleanroom, Weidouli delivers valves which can be placed directly into high purity systems without the need for any component cleaning in the field, such as semiconductor, chemical, pharmaceutical and other industries which have standards for high purity,



Dechlorination Equipment

To avoid the iron or other metal pollution on finished valves and free of corrosion, all the testing water and cleaning water are treated and stored through a dechlorination equipment owned by Weidouli.



Special Treatment Laboratory

Vacuum hardness treatment especially for Titanium and Zirconium Treatment: Titanium stem/seat/sphere surface hardening treatment, so that a protective film formed on the surface, to improve the corrosion resistance, but also greatly relief stress and improve the surface hardness, not easy to scratch. Titanium surface with primary hardness $HV \leq 235$ can approach to $HV800$ after this treatment.

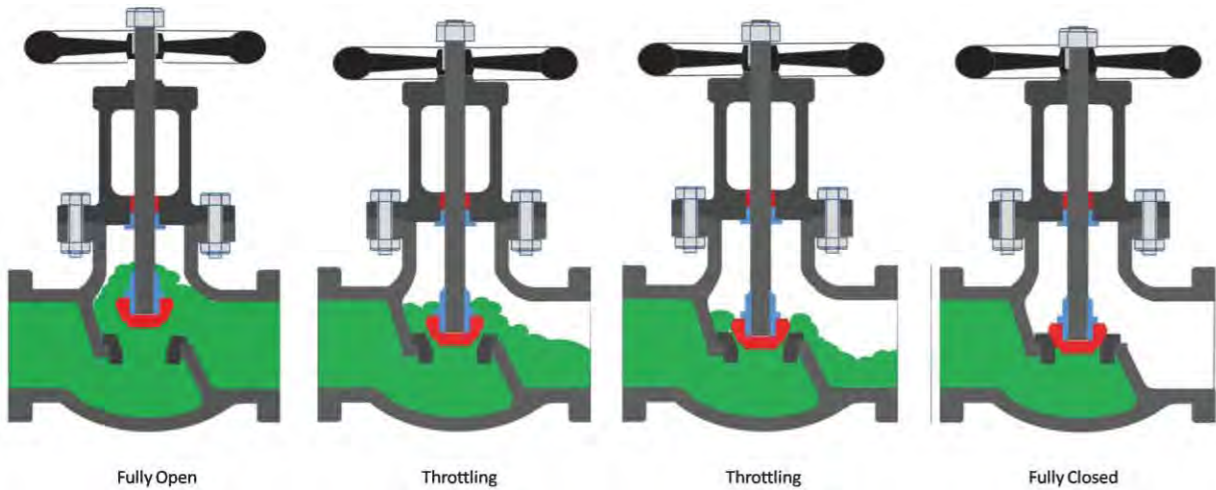


GLOBE VALVES INTRODUCTION



Globe valves are used for throttling flow control. Shut-off is accomplished by moving the disc against the flow stream rather than across it. This reduces chatter, wear and erosion to a minimum. The flow pattern through a globe valve involves changes in direction, resulting in greater resistance than a gate valve.

Globe valves are named for their spherical body shape with the two halves of the body being separated by an internal baffle. This has an opening that forms a seat onto which a movable plug can be screwed in to close (or shut) the valve. In globe valves, the plug is connected to a stem which is operated by screw action using a handwheel in manual valves. The metal plug disc has high resistance to wear and the abrasive effect of dirt, scale and other solids in the fluid. When wear occurs, the metal disc can readily be 'lapped in' to form tight closure. The Globe Valve must be installed in proper relation to media flow as indicated by the flow direction arrow on the valve body. The stem-disc swivel-type connection permits tight seating without damaging seating surfaces.



Although globe valves in the past had the spherical bodies which gave them their name, many modern globe valves do not have much of a spherical shape. However, the term globe valve is still often used for valves that have such an internal mechanism. In plumbing, valves with such a mechanism are also often called stop valves since they don't have the spherical housing, but the term stop valve may refer to valves which are used to stop flow even when they have other mechanisms or designs.

GLOBE VALVES GENERAL FEATURES

General Features

- * Outside Screw and Yoke
- * Integral seat & overlaying
- * Full bore and reduced bore
- * Bolted Bonnet structure
- * Pressure seal structure
- * Backward sealing design
- * V type packing gland
- * Renewable wedge & sealing gasket
- * Ends: Flanged, NPT, BW, SW
- * ISO 5211 Top flange
- * Stem nitrogen treatment
- * Operation: Lever, Gearbox, Pneumatic actuator
- Electric actuator, Bare shaft

Design Standard
ASME Flanged Globe valve

Features	Standard
Design	ASME B16.34, API602, BS1873
Testing	API 598, GB/T 26840, GB/T 13927
Face to face	ASME B16.10
Flanged end	ASME B16.5
Pressure temperature rating	ASME B16.34
Visual inspection of casting	MSS-SP-55
Standard markings	MSS-SP-25
Pressure equipment CE-PED	Directive 97/23/EC & 2014/68/EU
NACE	MR 0175 2003

Size/Pressure produce range

Pressure	Flange/BW	SW	NPT
150LB	½" up to 16"	½" up to 2-½"	½" up to 2-½"
300LB	½" up to 16"	½" up to 2-½"	½" up to 2-½"
600LB	½" up to 12"	½" up to 2-½"	½" up to 2-½"
900LB	½" up to 10"	½" up to 2-½"	½" up to 2"
1500LB	½" up to 10"	½" up to 2-½"	½" up to 2"



Notes:
 1. Other unspecified standards and sizes are upon request.
 2. Other ends criterion
 Threaded NPT: ASME B1.20.1
 Socket weld: ASME 16.11
 Butt weld: ASME 16.25

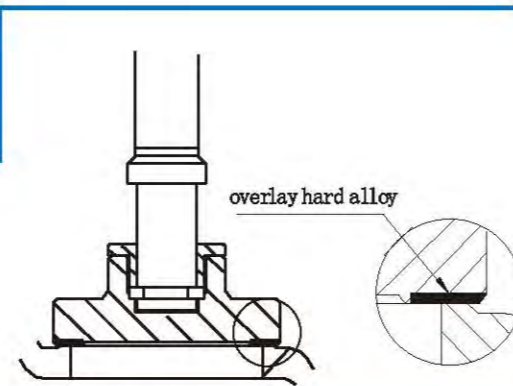
LOBE VALVES DESIGN FEATURES

*** Nitriding treatment**

The surface of the valve stem are nitrogenized so that it is erosion and abrasion resistant.

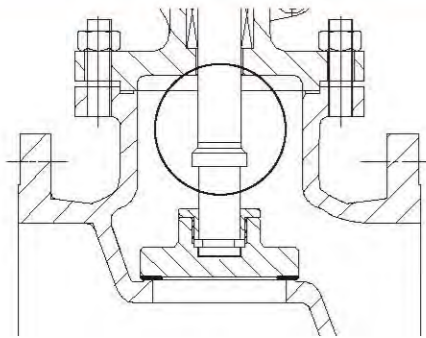
*** Seat**

Normally, globe valves are integral seat. For normal material, like carbon steel and stainless steel globe valve, the sealing surface of the seat is overlay with hard alloy specified by the customers.



*** Sealing surface hardfacing**

High-quality deposits of hard facing materials including hard alloy such as stellite, as well as other hard facing materials are assured by the use of state, to ensure longer service life.



*** Backward sealing design**

All globe valves have the back sealing design, and the back seat is integral type. When the globe valve at fully open position, the sealing of the back seat can be very reliable. As per the requirement of API, it is not advisable to add or change packing by the mean of back sealing when the valve is pressure containing.

*** Packing seal**

Flexible graphite is used for packing material. PTFE or combined packing material can be also used if being requested by the customer. The internal surface of stuffing box, of which area in contacted with the packing, is of excellent finish. The stem surface, contacting with the packing, should be rolled and pressed after being precisely machined, so as to reach to the high finish and ensure the realizable tightness of the stem area.



LOBE VALVES DESIGN FEATURES

*** Stem design**

The stem is of integral forged design. The minimum diameter of the stem shall per the standard requirement.

*** Stem nut**

Normally, for small size, the stem nut is made of A182 F6a, for large size, the stem nut is made of copper, it is also can be made according the customers' requirement. And for large size globe valve, rolling bearing is fitted at the two sides of stem nut in order to minimize the open and close torque of the globe valve.

*** Belleville Spring Loaded Packing Impacting System**

If being requested by the customer, the Belleville spring loaded packing impacting system can be adopted for enhancing the durability and reliability of the packing seat.



*** Plug disc type**

Flat sealing
Cone sealing

*** Valve parts**

Weidouli's products machinery and equipment are specially engineered to meet the requirements of advanced valve manufacturing.



*** Special Globe valve**

Besides the common globe, we also manufacture control globe valves, steam jacket globe valves, oxygen globe valves, needle valves globe type, check globe valves.



- * Good inner chamber
- * Low fluid resistance
- * Embedded sealing structure

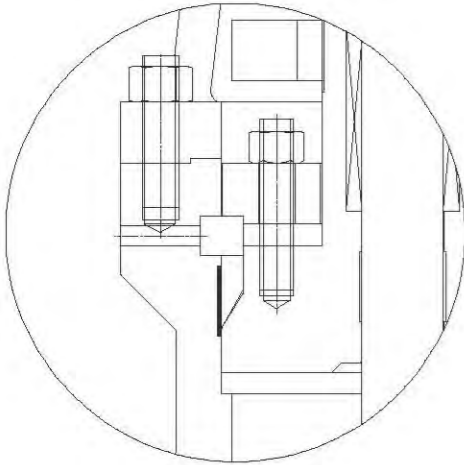


- * ASME
- * DIN
- * GB



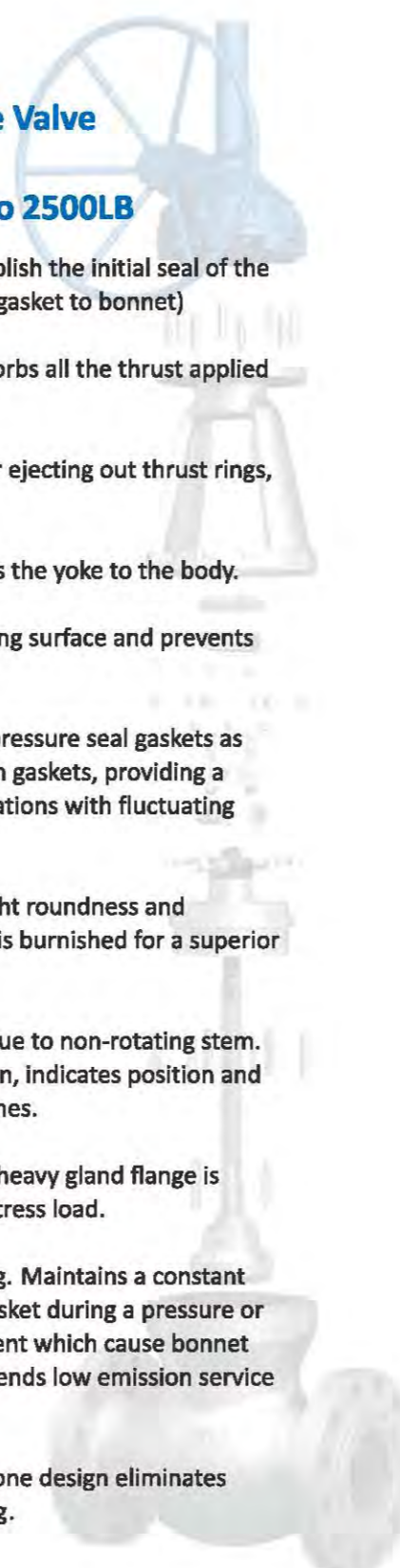
- * Manual control
- * Bevel gear control
- * Pneumatic control
- * Electric control

GLOBE VALVES DESIGN FEATURES

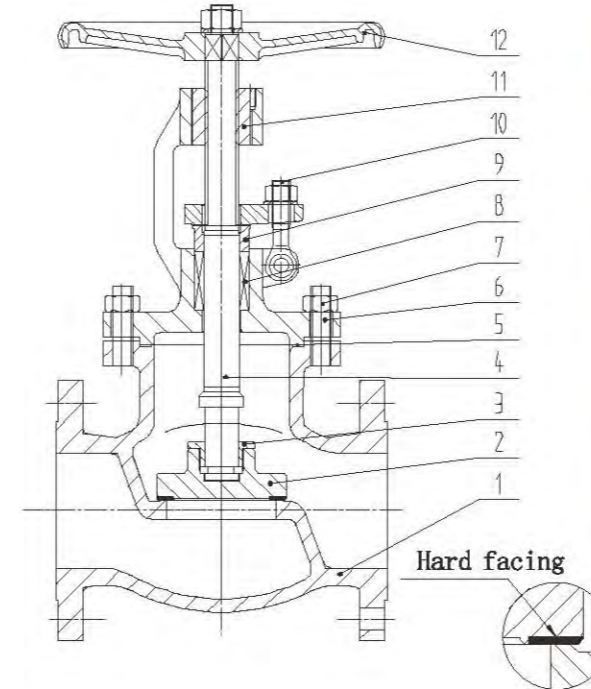


**Pressure Seal Globe Valve
1/2" to 10"
ASME Class 900LB to 2500LB**

- * Bonnet take-up bolts establish the initial seal of the pressure seal joint (body to gasket to bonnet)
- * Segmental thrust ring absorbs all the thrust applied by internal pressure.
- * Drilled knock-out holes for ejecting out thrust rings, using pins.
- * Outer row of studs secures the yoke to the body.
- * Spacer ring provides bearing surface and prevents deformation of the gasket.
- * Weidouli offers graphite pressure seal gaskets as standard, instead of soft iron gaskets, providing a more flexible seal for applications with fluctuating conditions.
- * Non-rotating stem, has tight roundness and straightness tolerances and is burnished for a superior surface finish.
- * Lower operating torque, due to non-rotating stem. Torque arm prevents rotation, indicates position and may also actuate limit switches.
- * Heavy two-piece gland. A heavy gland flange is required to carry the high stress load.
- * Live-loaded bonnet bolting. Maintains a constant load on the pressure seal gasket during a pressure or temperature induced transient which cause bonnet movement. Live-loading extends low emission service life.
- * Efficient backseat. Cone-cone design eliminates problems with over-torquing.



GLOBE VALVES VALVE MAIN PARTS



Flanged RF ends

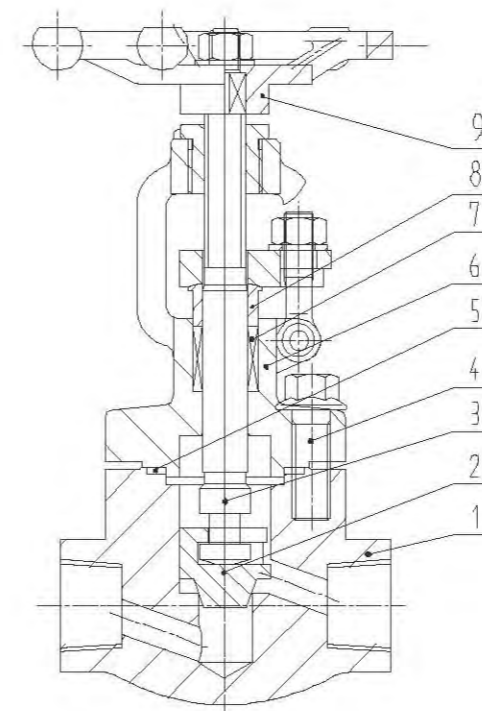
Code	Parts
1	Body
2	Disc
3	Disc cover
4	Stem
5	Gasket
6	Double-end stud
7	Hex nut
8	Packing
9	Gland bushing
10	Bonnet
11	Stem nut
12	Handwheel

Standards

Design	ASME B16.34
Face to Face	ASME B16.10
Flange end	ASME B16.5
Testing	API 598

Pressure Rating
ASME 150LB-1500LB
PN10-PN250

Size Rating
1/2"-16"
DN15-DN400



NPT ends

Code	Parts
1	Body
2	Disc
3	Stem
4	Stud
5	Gasket
6	Bonnet
7	Packing
8	Gland bushing
9	Handwheel

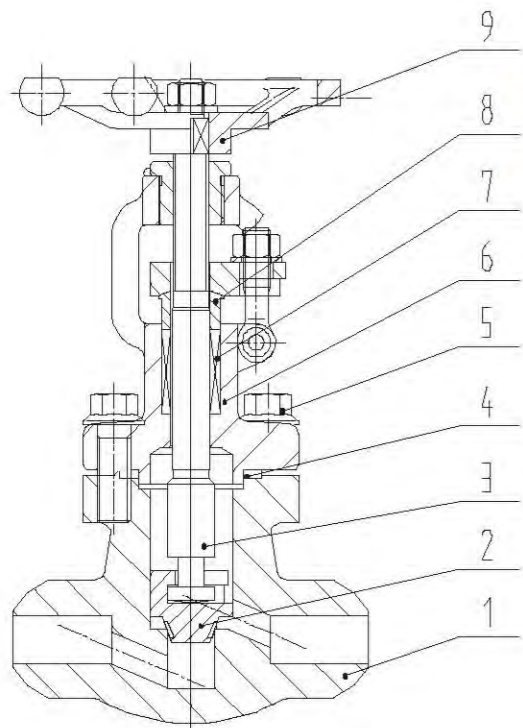
Standards

Design	API 602
Face to Face	AS MFR STD.
FNPT end	ASME B1.20.1
Testing	API 598

Pressure Rating
ASME 150LB-1500LB
PN10-PN250

Size Rating
1/2"~2 1/2"
DN15-DN65

GLOBE VALVES VALVE MAIN PARTS



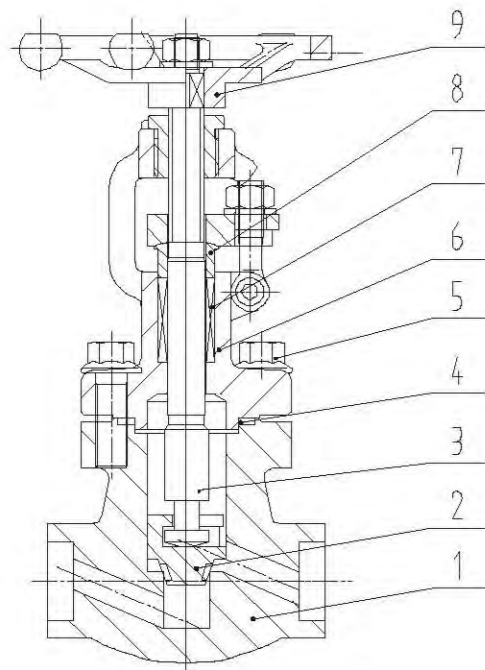
BW ends

Code	Parts
1	Body
2	Disc
3	Stem
4	Washer
5	Gasket
6	Bonnet
7	Packing
8	Gland bushing
9	Handwheel

Standards

Design	API 602
Face to Face	AS MFR STD
BW end	ASME B16.25
Testing	API 598

Pressure Rating
ASME 150LB-1500LB
PN10-PN250
Size Rating
1/2"-16"
DN15-DN400



SW ends

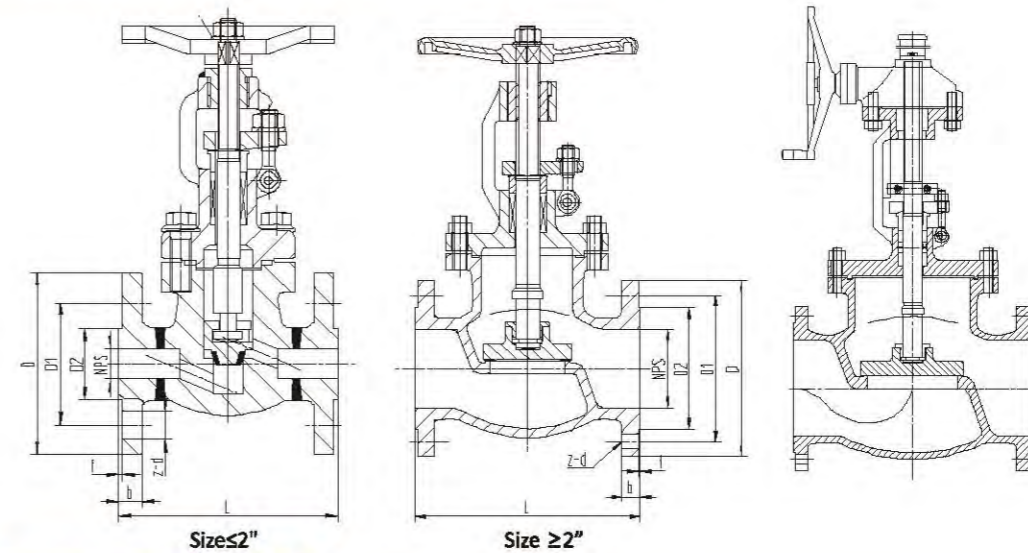
Code	Parts
1	Body
2	Disc
3	Stem
4	Stud
5	Gasket
6	Bonnet
7	Packing
8	Gland bushing
9	Handwheel

Standards

Design	API 602
Face to Face	AS MFR STD
SW end	API 602
Testing	API 598

Pressure Rating
ASME 150LB-1500LB
PN10-PN250
Size Rating
1/2"~2 1/2"
DN15-DN65

GLOBE VALVES FLANGE TYPE



With Gear

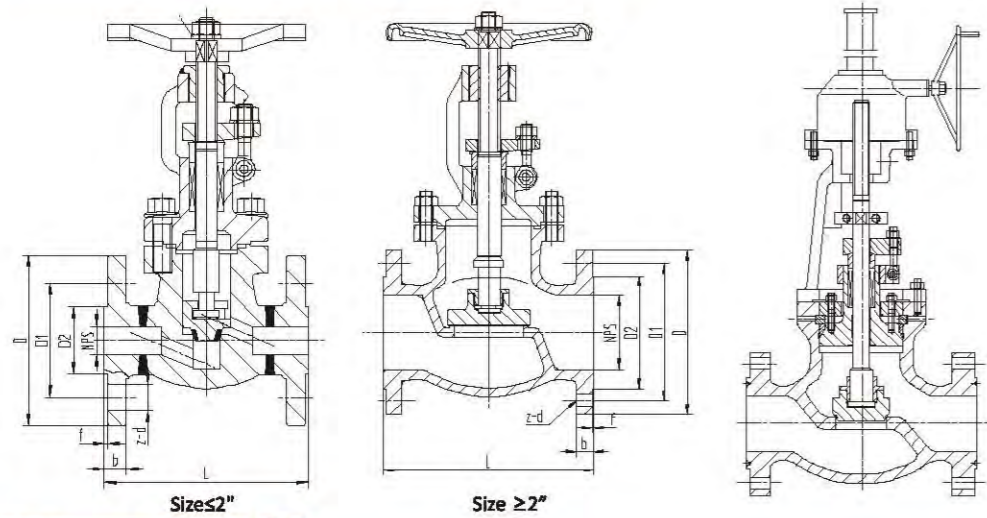
Rate	Size
150LB	≥ 10"
300LB	≥ 8"
600LB	≥ 6"

*** Dimensions (mm)**

Size (Inch)	150LB							300LB							600LB						
	L	D	D1	D2	b	f	z-d	L	D	D1	D2	b	f	z-d	L	D	D1	D2	b	f	z-d
1/2"	108	89	60.5	35	12	1.6	4-15	152	95	66.5	35	15	1.6	4-15	165	95	66.5	35	22	6.4	4-15
3/4"	117	98	70	43	12	1.6	4-15	178	117	82.5	43	16	1.6	4-19	190	118	82.5	43	23	6.4	4-19
1"	127	108	79.5	51	12	1.6	4-15	203	124	89	51	18	1.6	4-19	216	124	89	51	25	6.4	4-19
1-1/4"	140	117	89	64	13	1.6	4-15	216	133	98.5	63	19	1.6	4-19	229	133	98.5	63	28	6.4	4-19
1-1/2"	165	127	98.5	73	15	1.6	4-15	229	156	114.5	73	21	1.6	4-22	241	156	114.5	73	30	6.4	4-22
2"	203	152	120.5	92	16	1.6	4-19	267	165	127	92	22	1.6	8-19	292	165	127	92	33	6.4	8-19
2-1/2"	216	178	139.5	105	18	1.6	4-19	292	190	149	105	25	1.6	8-22	330	190	149	105	36	6.4	8-22
3"	241	190	152.5	127	19	1.6	4-19	318	210	168	127	29	1.6	8-22	356	210	168	127	39	6.4	8-22
4"	292	229	190.5	157	24	1.6	8-19	356	254	200	157	32	1.6	8-22	432	273	216	157	45	6.4	8-25
5"	356	254	216	186	24	1.6	8-22	400	279	235	186	35	1.6	8-22	508	330	266.5	186	52	6.4	8-29
6"	406	279	241.5	216	26	1.6	8-22	444	318	270	216	37	1.6	12-22	559	356	292	216	55	6.4	12-29
8"	495	343	298.5	270	29	1.6	8-22	559	381	330	270	41	1.6	12-25	660	419	349	270	63	6.4	12-32
10"	622	406	362	324	31	1.6	12-25	622	444	387.5	324	48	1.6	16-29	787	508	432	324	71	6.4	16-35
12"	698	483	432	381	32	1.6	12-25	711	521	451	381	51	1.6	16-32	838	560	489	381	73.7	7	20-36
14"	787	533	476	413	35	1.6	12-29	762	584	514.5	413	54	1.6	20-32							
16"	914	597	540	470	37	1.6	16-29	864	648	571.5	470	57	1.6	20-35							

Notes:
*Other sizes & pressures are available upon request.
*Weldoull reserves the right to change this information without notice.

LOBE VALVES FLANGE TYPE



With Gear

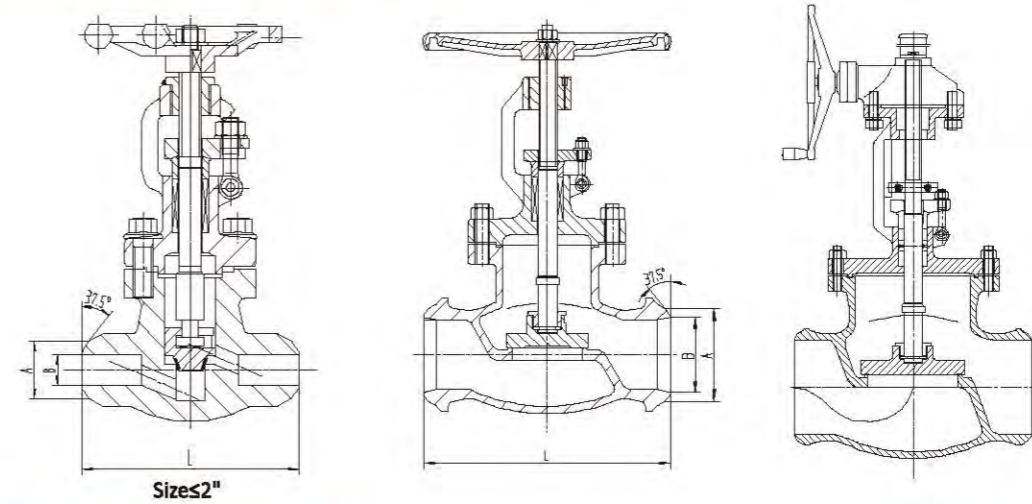
Rate	Size
900LB	≥ 6"
1500LB	≥ 6"

* Dimensions (mm)

Size (Inch)	900LB							1500LB						
	L	D	D1	D2	b	f	z-d	L	D	D1	D2	b	f	z-d
1/2"	216	120	82.6	34.9	29.3	7	4-22	216	120	82.6	34.9	29.3	7	4-22
3/4"	229	130	88.9	42.9	32.4	7	4-22	229	130	88.9	42.9	32.4	7	4-22
1"	254	150	101.6	50.8	35.6	7	4-26	254	150	101.6	50.8	35.6	7	4-26
1-1/4"	279	160	111.1	63.5	35.6	7	4-26	279	160	111.1	63.5	35.6	7	4-26
1-1/2"	305	180	123.8	73	38.8	7	4-30	305	180	123.8	73	38.8	7	4-30
2"	368	215	165.1	92.1	45.1	7	8-26	368	215	165.1	92.1	45.1	7	8-26
2-1/2"	419	245	190.5	104.8	48.3	7	8-30	419	245	190.5	104.8	48.3	7	8-30
3"	381	240	190.5	127	45.1	7	8-33	470	265	203.2	127	54.7	7	8-33
4"	457	290	235	157.2	51.5	7	8-36	546	310	241.3	157.2	61	7	8-36
5"	559	350	279.4	185.7	57.8	7	8-42	673	375	292.1	185.7	80.1	7	8-42
6"	610	380	317.5	215.9	62.6	7	12-39	705	395	317.5	215.9	89.6	7	12-39
8"	737	470	393.7	269.9	70.5	7	12-45	832	485	393.7	269.9	99.1	7	12-45
10"	838	545	469.9	323.8	76.9	7	12-51	991	585	482.6	323.8	115	7	12-51

Notes:
 * Other sizes & pressures are available upon request.
 * Weidouli reserves the right to change this information without notice.

LOBE VALVES BW ENDS



With Gear

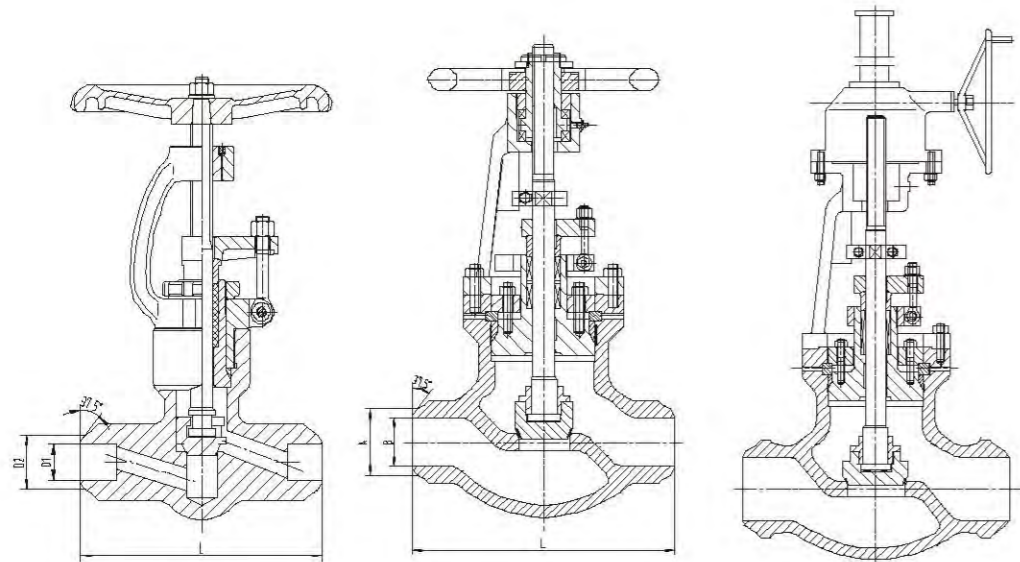
Rate	Size
150LB	≥ 10"
300LB	≥ 8"
600LB	≥ 6"

* Dimensions (mm)

Size (Inch)	150LB			300LB			600LB		
	L	A	B	L	A	B	L	A	B
1/2"	79	21.3	15.5	79	21.3	15.5	79	21.3	14
3/4"	92	26.9	21	92	26.9	21	92	26.9	18.5
1"	111	33.7	27	111	33.7	27	111	33.7	24.5
1-1/4"	120	42.4	35	120	42.4	35	120	42.4	32
1-1/2"	152	48.3	41	152	48.3	41	152	48.3	38
2"	172	60.3	52	172	60.3	52	172	60.3	49
2-1/2"	216	76.1	66	292	76.1	66	330	76.1	61.5
3"	241	88.9	77.5	318	88.9	77.5	356	88.9	72.5
4"	292	114.3	101.5	356	114.3	101.5	432	114.3	96.5
5"	356	139.7	127	400	139.7	127	508	139.7	119.5
6"	406	168.3	154	444	168.3	154	559	168.3	146
8"	495	219.1	203	559	219.1	203	660	219.1	194
10"	622	273	255	622	273	255	787	273	248
12"	698	323.9	303.5	711	323.9	303.5	838	323.9	298.5
14"	787	355.6	333.5	762	355.6	333.5			
16"	914	406.4	381	864	406.4	381			

Notes:
 * Other sizes & pressures are available upon request.
 * Weidouli reserves the right to change this information without notice.

GLOBE VALVES BW ENDS



Sizes 2"

With Gear

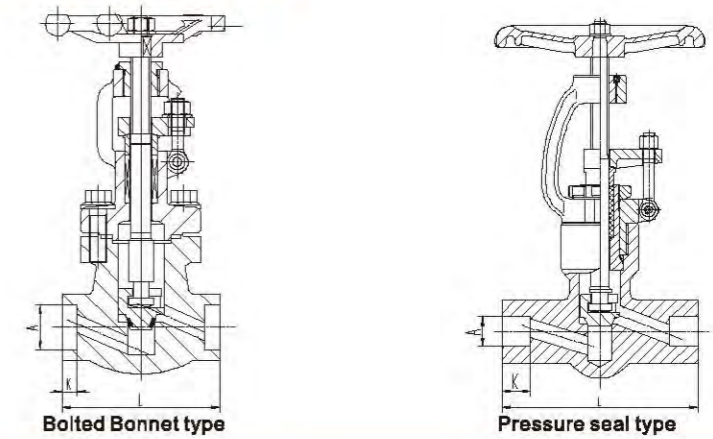
Rate	Size
900LB	≥ 6"
1500LB	≥ 6"

* Dimensions (mm)

Size (Inch)	900LB			1500LB		
	L	A	B	L	A	B
1/2"	140	21.3	12	140	21.3	12
3/4"	140	26.9	15.5	140	26.9	15.5
1"	140	33.7	21	140	33.7	21
1-1/4"	178	42.4	29.5	178	42.4	29.5
1-1/2"	178	48.3	34	178	48.3	34
2"	216	60.3	42.5	216	60.3	42.5
2-1/2"	419	76.1	56	419	76.1	56
3"	381	88.9	66.5	470	88.9	66.5
4"	457	114.3	85.5	546	114.3	85.5
5"	559	139.7	107.5	673	139.7	107.5
6"	610	168.3	122	705	168.3	122
8"	737	219.1	174.5	832	219.1	174.5
10"	838	273	217	991	273	217

Notes:
 *Other sizes & pressures are available upon request.
 *Weidoull reserves the right to change this information without notice.

GLOBE VALVES SW ENDS & NPT ENDS

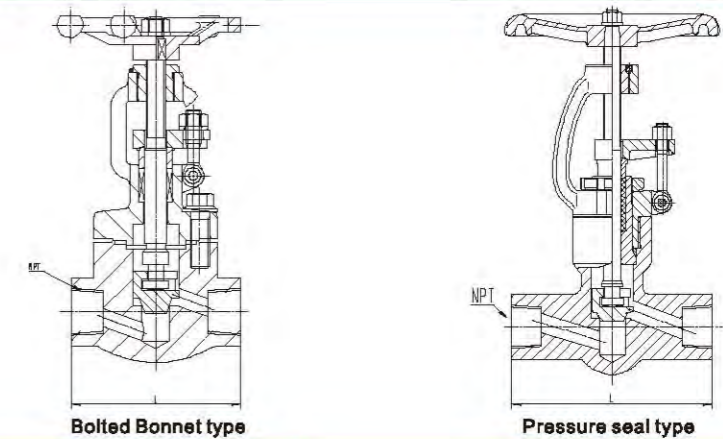


Bolted Bonnet type

Pressure seal type

* Dimensions (mm)

Size (Inch)	150LB, 300LB, 600LB			900LB, 1500LB		
	L	A	K	L	A	K
1/2"	79	21.8	10	140	21.8	10
3/4"	92	27.2	13	140	27.2	13
1"	111	33.9	13	140	33.9	13
1-1/4"	120	42.7	13	178	42.7	13
1-1/2"	152	48.8	13	178	48.8	13
2"	172	61.2	16	216	61.2	16
2-1/2"	200	73.9	16			



Bolted Bonnet type

Pressure seal type

* Dimensions (mm)

Size (Inch)	150LB, 300LB, 600LB		900LB, 1500LB	
	L	NPT	L	NPT
1/2"	79	1/2"	140	1/2"
3/4"	92	3/4"	140	3/4"
1"	111	1"	140	1"
1-1/4"	120	1-1/4"	178	1-1/4"
1-1/2"	152	1-1/2"	178	1-1/2"
2"	172	2"	216	2"
2-1/2"	200	2-1/2"		

Notes:
 *Other sizes & pressures are available upon request.
 *Weidoull reserves the right to change this information without notice.

LOBE VALVES HOW TO ORDER

FIGURE NUMBER SYSTEM

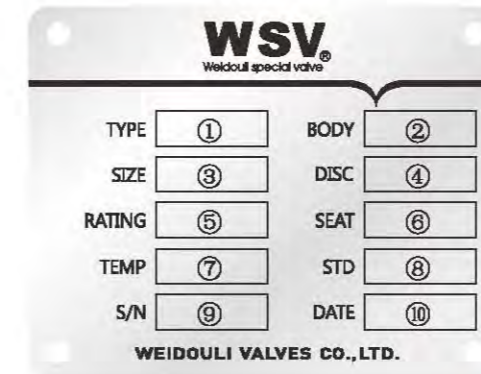
1	2	3	4	5	6	7
Valve type	Operation	End con.	Structure	Seat material	Pressure	Size
J=Globe valve	5=Bevel gear	1=FNPT end	1=Straight type	W=Integral metal	150LB~1500LB	1/2"~16"
	6=Pneumatic actuator	2=MNPT end	3=Three way	Y=Overlay hard alloy	PN10~PN250	DN15~DN400
	7-Hydraulic actuator	4=Flanged end	4=Angle type	H=Overlay 13Cr		
	9=Electric actuator	6= Weld end	5=Oblique type			
			6=Balanced straight type			
			7=Balanced angle type			

EXAMPLE: Globe valve, Straight type, Flange end, Integral seat, 150LB, 8"

J41W-150LB-8"						
Valve code	Operation	End con.	Structure	Seat	Pressure	Size
J		4	1	W	150LB	8"
J	Handwheel	Flange type	Straight type	Integral Metal	150LB	8"

Notes:
*The figure number system outlined below is designed to cover the most common configurations. If special features are required that are not listed below, please advise the detailed description for accurate processing.

LOBE VALVES VALVE MARKINGS

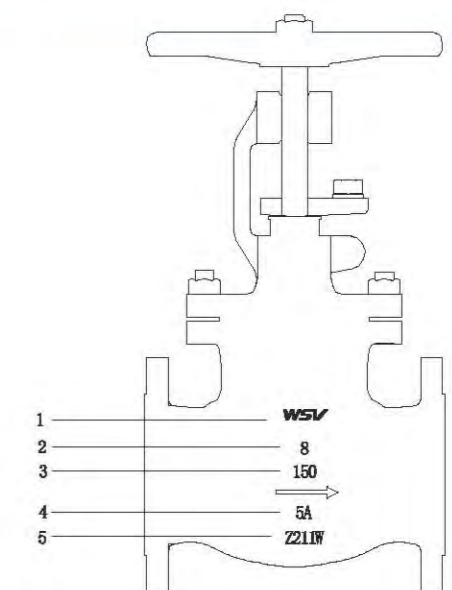


Valve ID Tag

No.	Component	Description
①	Type	Identifies valves type
②	Body Material	Identifies body metal material composition
③	Size	Identifies bore size
④	Disc Material	Identifies disc material composition
⑤	Rating	Identifies pressure
⑥	Seat	Identifies seat material composition
⑦	Temp.	Identifies the suitable operating temperature
⑧	Standard	Identifies design standard
⑨	Serial Number	Identifies certified manufacturer's serial number
⑩	Date	Identifies valve manufacturing date

Valve Marking

No.	Valve ID Components
1	Brand
2	Size
3	Pressure Class
4	Body Material
5	Heat Number



GLOBE VALVES MATERIAL LIST

PRODUCT FIELD

Material	ASTM		
	Casting	Forging	Bars
Titanium & Titanium Alloy			
Titanium Gr.2	B367 Gr.C-2	B381 Gr.F-2	B348 Gr.2
Titanium Gr.3	B367 Gr.C-3	B381 Gr.F-3	B348 Gr.3
Titanium Gr.5	B367 Gr.C-5	B381 Gr.F-5	B348 Gr.5
Titanium Gr.6	B367 Gr.C-6	B381 Gr.F-6	B348 Gr.6
Titanium Gr.12	B367 Gr.C-12	B381 Gr.F-12	B348 Gr.12
Titanium Gr.7	B367 Pd7B	B381 Gr.F-7	B348 Gr.7
Nickel			
Nickel 200	A494 CZ100	B160 N02200	B160 N02200
Nickel 201		B160 N02201	B160 N02201
Nickel Base Alloy			
Monel 400	A494 M35-1	B564 N04400	B164 N04400
Monel K500		B865 N05500	B865 N05500
Inconel 600	A494 CY40	B564 N06600	B166 N06600
Inconel 625	A494 CW6MC	B564 N06625	B446 N06625
Incoloy 800	A351 CT15C	B564 N08800	B408 N08800
Incoloy 825	A494 CU5MCuC	B564 N08825	B425 N08825
Hastelloy B	A494 N12MV	B335 N10001	B335 N10001
Hastelloy B-2	A494 N7M	B462 N10665	B335 N10665
Hastelloy C276	A494 CW12MW	B574 N10276	B574 N10276
Hastelloy C-22	A494 CX2MW	B574 N06022	B574 N06022
Hastelloy C-4	A494 CW2M	B574 N06455	B574 N06455
Hastelloy G		B462 N06007	B581 N06007
Zirconium			
Zirconium 702	B752 702C	B493 R60702	B550 R60702
Zirconium 705	B752 705C	B493 R60705	B550 R60705
Super Austenitic Stainless Steel			
904L	904L	A182 F904L	B649 N08904
254SMO	A351 CK3MCuN	A182 F44	A276 S31254
AL-6XN	A351 CN3MN	B462 N08367	B688 N08367
ALLOY 20	A351 CN7M	B462 N08020	B473 N08020
Duplex & Super Duplex			
Duplex S31803	A890 4A	A182 F51	A276 S31803
Super Duplex S32750	A890 5A	A182 F53	A276 S32750
Super Duplex S32760	A890 6A	A182 F55	A276 S32760
Al-Bronze			
Ni-Al-Br	B148 C95800/C95500		

Notes:
 *The above materials are applicable to valve body. Contact Weidouli for the valve component material. Trademarks appeared on the book: SandvikAB for SAF 2205/SAF 2507; SPECIALS METALS for Inconel, Monel, Incoloy; Haynes for Hastelloy; Allegheny Ludlum for AL-6XN; Avesta for 254SMO.
 *Other materials are available upon request, such as stainless steel, etc.

Petroleum Industry

The petroleum industry, also known as the oil industry or the oil patch, includes the global processes of exploration, extraction, refining, transporting (often by oil tankers and pipelines), and marketing of petroleum products. Weidouli designed Duplex, Ali Bronze, Titanium valves are ideal products for the downstream and upstream pipe requirements.

Coal Chemistry

Coal Chemistry includes coal coking, gasification, liquefaction, coal refinery etc. Weidouli designed valves are mostly used for coal coking, gasification.

Organic Chemistry

An organic compound is virtually any chemical compound that contains carbon, although a consensus definition remains elusive and likely arbitrary. Weidouli has abundant performance on such applications, such as acetic acid, PTA, Alkylation, Cyclohexanone, BDO, sec-Butyl Acetate.

Inorganic Chemistry

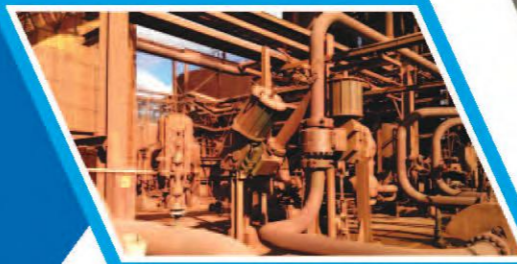
Inorganic chemistry deals with the synthesis and behavior of inorganic and organometallic compounds. This field covers all chemical compounds except the myriad organic compounds (carbon based compounds, usually containing C-H bonds), which are the subjects of organic chemistry.

New Energy

Due to worldly fast-growth, energy consumption is increasing, energy supply and demand gap is increasing as well. Therefore, development of new energy becomes the main subjects for all around the world. New energy, is based on the new technology, the system development and utilization of renewable energy, such as nuclear energy, solar energy, ocean energy and so on.

Environmental Water Treatment

Water treatment is any process that makes water more acceptable for a specific end-use. The end use may be drinking, industrial water supply, irrigation, river flow maintenance, water recreation or many other uses, including being safely returned to the environment. Water treatment removes contaminants and undesirable components, or reduces their concentration so that the water becomes fit for its desired end-use.



WEIDOU LI
PERFORMANCES

Weidouli valves for critical applications in chemical and petrochemical process (PTA process, Acetic acid, sulfuric and nitric acid, and chlorine services , Caustic Soda etc.), Onshore/Offshore (Desalination processing, oil/water separation, Fire Fighting, Cooling system) , FPSO/FSO, Oil&Gas, Water treatment, Refinery, Pulp & Paper, Mining, Power generation etc.